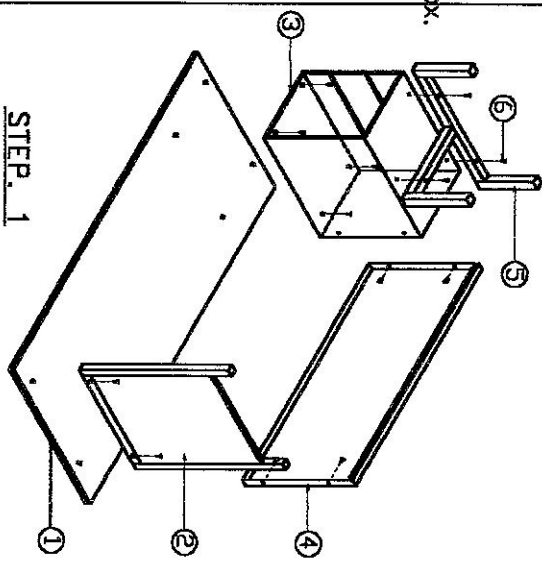


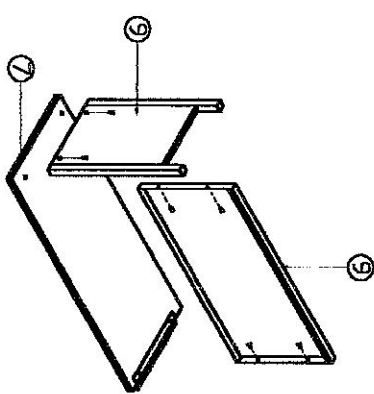
FITTING INSTRUCTIONS

1. Place table top face down on clear surface or carpet
2. Remove drawers from the pedestal box.
3. Fix pedestal box on the table top as shown in step-1
4. Fix part-2 on the table top step-1
5. Fix part-4 between part-2 part-3
6. Fix part-5 (Leg) above of the pedestal box as shown in step-1
7. Place L-table top face down on clear surface or carpet
8. Fix side panel on the top step-2
9. Fix back panel on the top step-2
9. Fix L-Table on the top of the main table by using bolts step-3
10. Fix end bush on legs as shown in step-3
8. Keep the table upright and insert the drawers, ensure the drawers are not moving out of the rolls while opening.

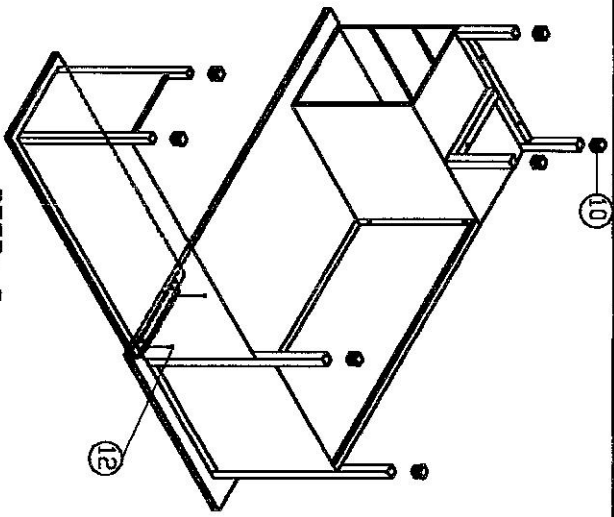
Note: The drawers to be replaced in the same sequence



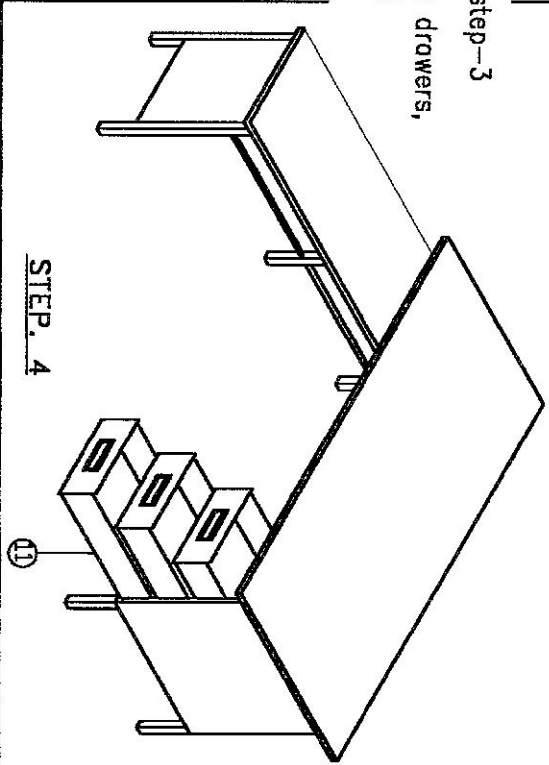
STEP. 1



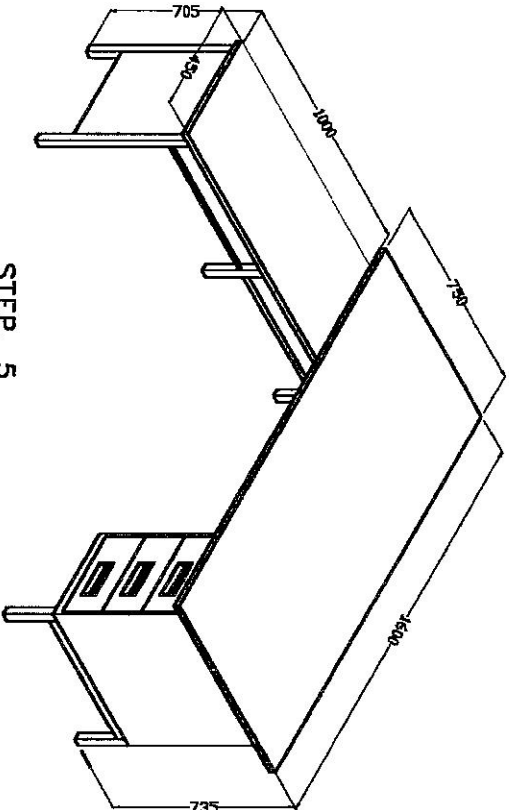
STEP. 2



STEP. 3



STEP. 4



STEP. 5

| PART NO. | DESCRIPTION. | PART NO. | DESCRIPTION. | PART NO. | DESCRIPTION. |
|----------|---------------------|----------|--------------|----------|-----------------------------|
| 1 | TABLE TOP | 4 | BACK PANEL | 7 | L-TABLE TOP |
| 2 | SIDE PANEL WITH LEG | 5 | LEG | 8 | L-TABLE SIDE PANEL WITH LEG |
| 3 | PEDESTAL BOX | 6 | SCREWS | 9 | L-TABLE BACK PANEL |
| 10 | BUSH | 11 | DRAWER | 12 | BOLT |

HD303A TABLE (NEW DESIGN)

DS 321/02